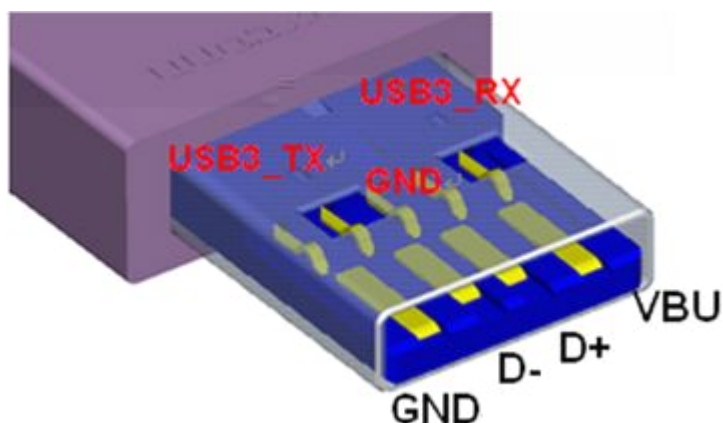


Yint's ESD

USB3.0 — SuperSpeedUSB — PC /
 USB 3.0 USB 2.0
 — 5Gbps USB2.0 480Mbps

USB — LED



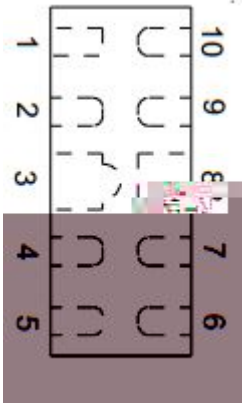
USB3.0 5G YINT
 ESD0524P DFN-10-2.5x1.0x0.6-0.5 0.6PF , 4

IEC 61000-4-2	(ESD) ± 15kV (air), ± 12kV (contact)
IEC 61000-4-5	(Lightning) 5A (8/20μ s)
IEC 61000-4-4	(EFT) 40A (5/50ns)
Operating Temperature	- 55 to +125 ° C
Storage Temperature	- 55 to +150 ° C

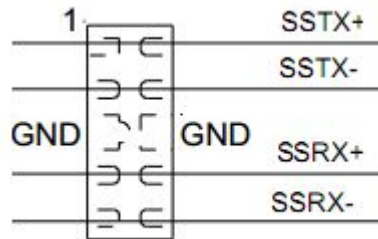
ESD0524P ESDSR05

USB 3.0 Standard-A Connector Pin Assignments

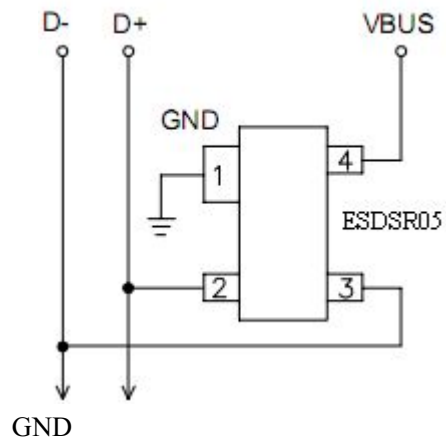
Pin Number	Signal Name	Description	Mating Sequence
1	VBUS	Power	Second
2	D-	USB 2.0 differential pair	
3	D+		
4	GND	Ground for power return	Second
5	SSTX+	Super Speed transmitter differential pair	
6	SSTX-		
7	GND	Ground for signal return	
8	SSRX+	Super Speed receiver differential pair	
9	SSRX-		
Shell	Shield	Connector metal shell	First



ESD0524P 1 10



1



GND

- Pin 1 2 4 5
- Pin 6 7 9 10
- Pin 3 8

ESDSR05 1 GND 4 USB VBUS 2 3 D D+

