

:

LED

LED

LED

LED

LED

LED



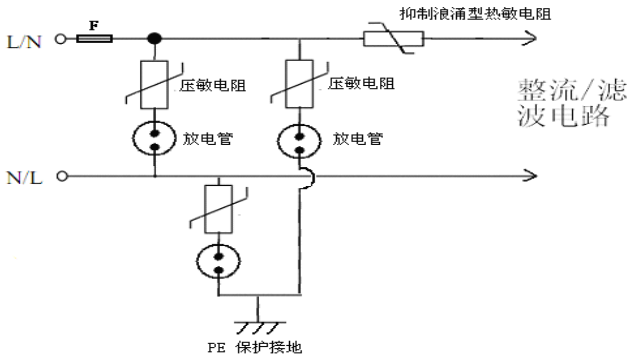
:

,

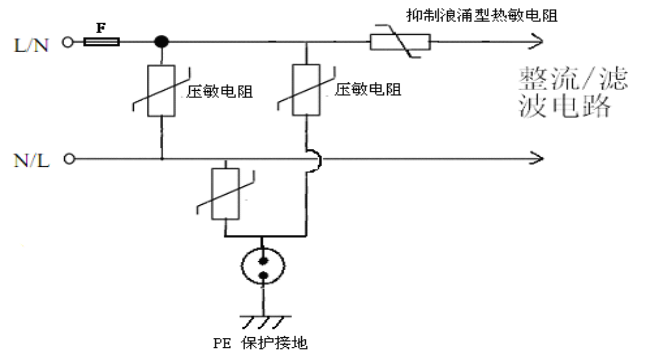
:

	±
1	
2	
3	
4	
5	

$W \leq P \leq W$	
$W \leq P \leq W$	
$W \leq P \leq W$	
$W \leq P \leq W$	



1



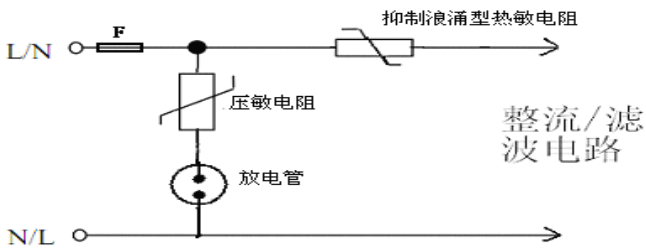
2

PE

PE

ON/OFF

ON/OFF

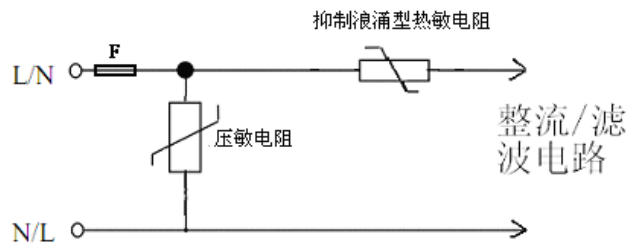


3

LN

PE

ON/OFF



4

PCBLayout

ON/OFF

110V

20%

$W \leq P \leq W$					
$W \leq P \leq W$					
$W \leq P \leq W$					
$W \leq P \leq W$					

220V

20%

$W \leq P \leq W$					
$W \leq P \leq W$					
$W \leq P \leq W$					
$W \leq P \leq W$					

$W \leq P \leq W$	
$W \leq P \leq W$	
$W \leq P \leq W$	
$W \leq P \leq W$	

110V 20%

$W \leq P \leq W$				NC	NC
				NC	NC
				NC	NC
$W \leq P \leq W$				NC	NC
				NC	NC
				NC	NC
$W \leq P \leq W$				NC	NC
				NC	NC
				NC	NC
$W \leq P \leq W$				NC	NC
				NC	NC
		NC	NC	NC	NC

220V 20%

$W \leq P \leq W$				NC	NC
				NC	NC
				NC	NC
$W \leq P \leq W$				NC	NC
				NC	NC
				NC	NC
$W \leq P \leq W$				NC	NC
				NC	NC

