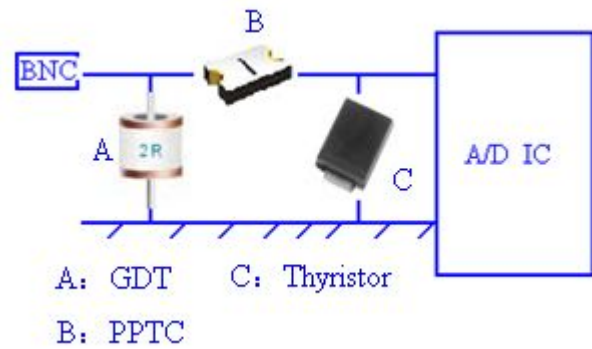


Analog video interfaces Protection

- **BNC**
- **DVI**
- **TV side panel**

BNC

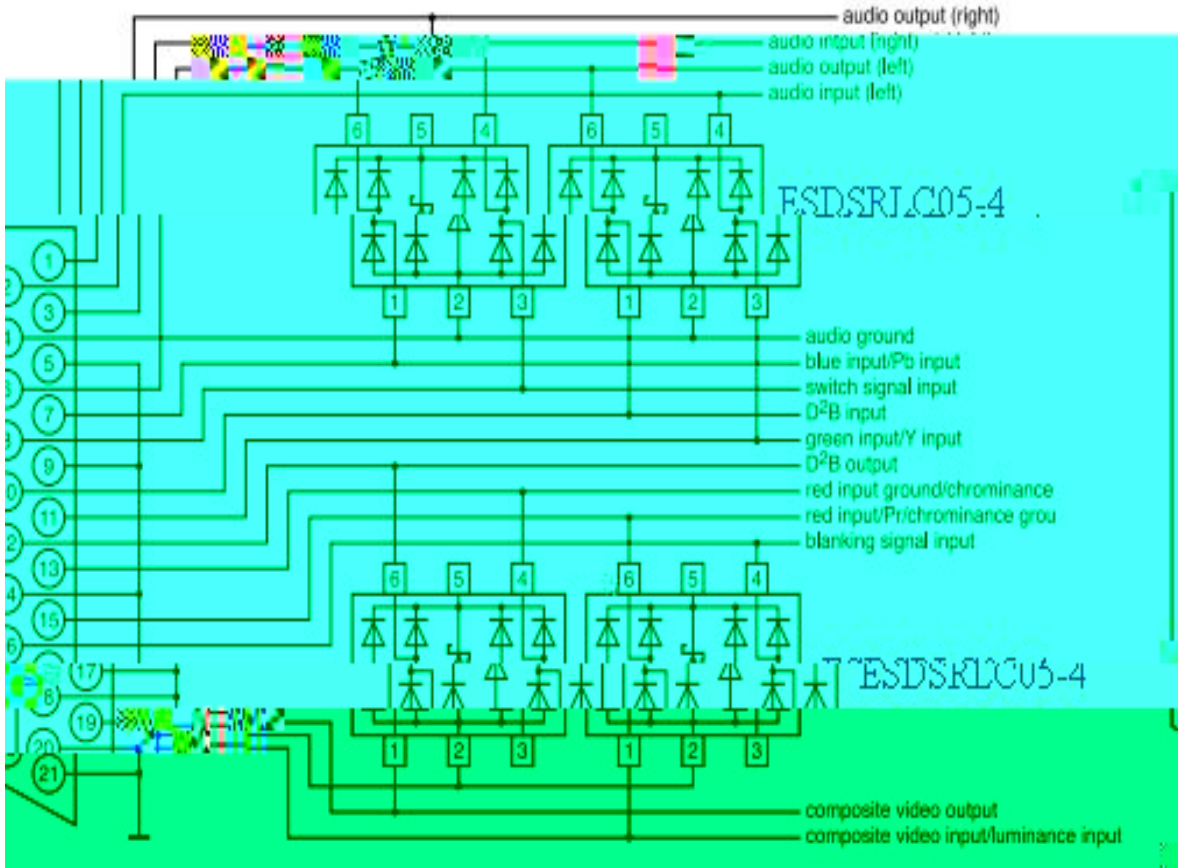
50



		mm		ESD robustness (IEC61000-4-2)	
2R075L	Dip D=6mm	5.5*6.0	0.8PF	2.5KA /8/20US	GDT A
GDT/SMD1812-091	4532/1812	4.5*3.2	0.6PF	2KA /8/20US	GDT A
SMD1206 010	3016/1206	3.0*1.6	IH 100mA		
INT.P0800SB-L	SMB	4.5*3.2	30PF	80A	

DVI

ESD **Layout DVI**
 **YC** **YPbPr** **L/R** **RGB** **A/V**
ESDSRLC05-4 **ESD0524P**



		mm		ESD robustness (IEC61000-4-2)	
ESDSRVLC05-4	SOT-23-6L	2.92*2.82*0.4	0.35 PF	C ±12KV A ±17KV	LC
ESD0524P	DNF-10-2.5-1.0	2.5*1.0*0.6	0.35PF	C ±10KV A ±15KV	

. TV side panel

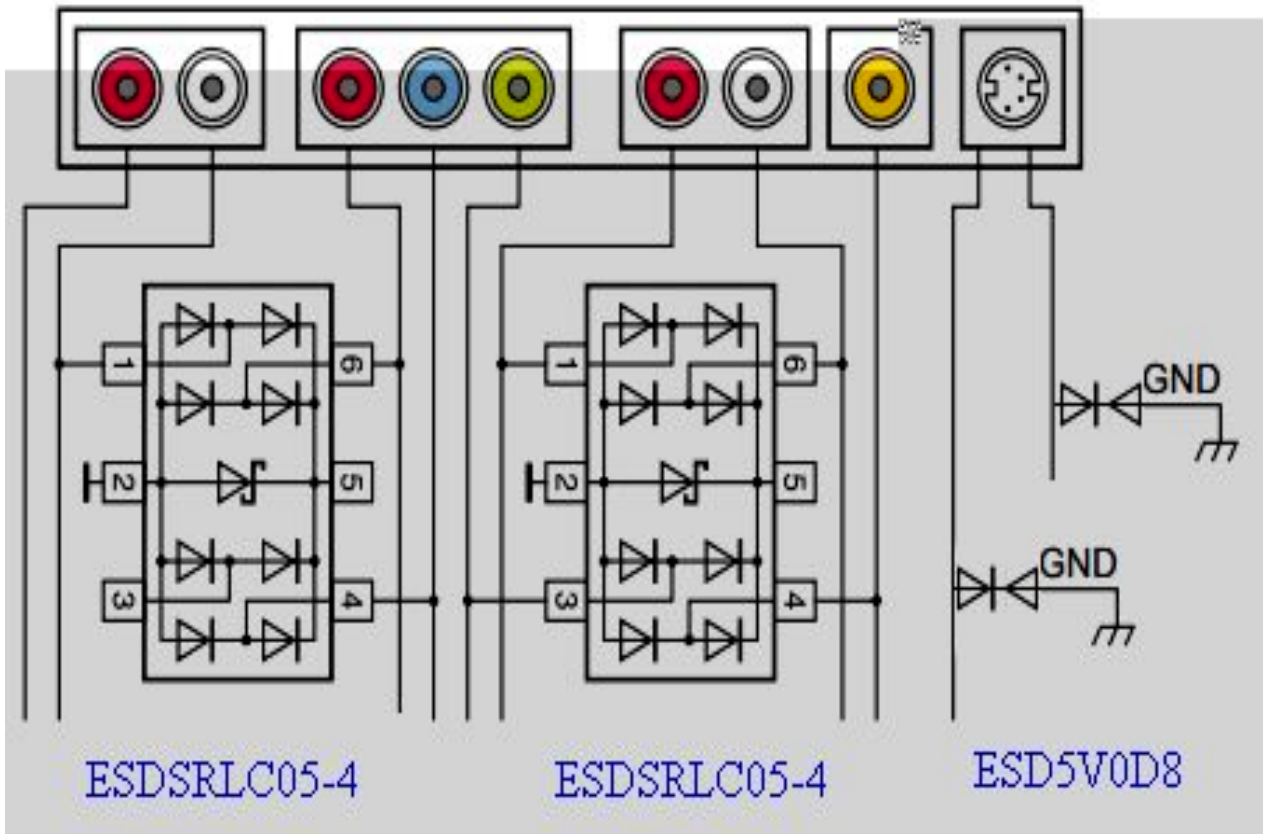
VGA . . . PC

DVD

ESD . . .

ESDSRLC05-4 ESD5V0D8.

Side panel



		mm		ESD robustness (IEC61000-4-2)	
ESDSRVLC05-4	SOT-23-6L	2.92*2.82*0.4	0.35 PF	C ±12KV A ±17KV	LC
ESD5V0D8	SOD 882	1.0*0.6*0.5	0.35PF	C ±10KV A ±10KV	SOD 882