

## Ethernet ESD and lightning Protection

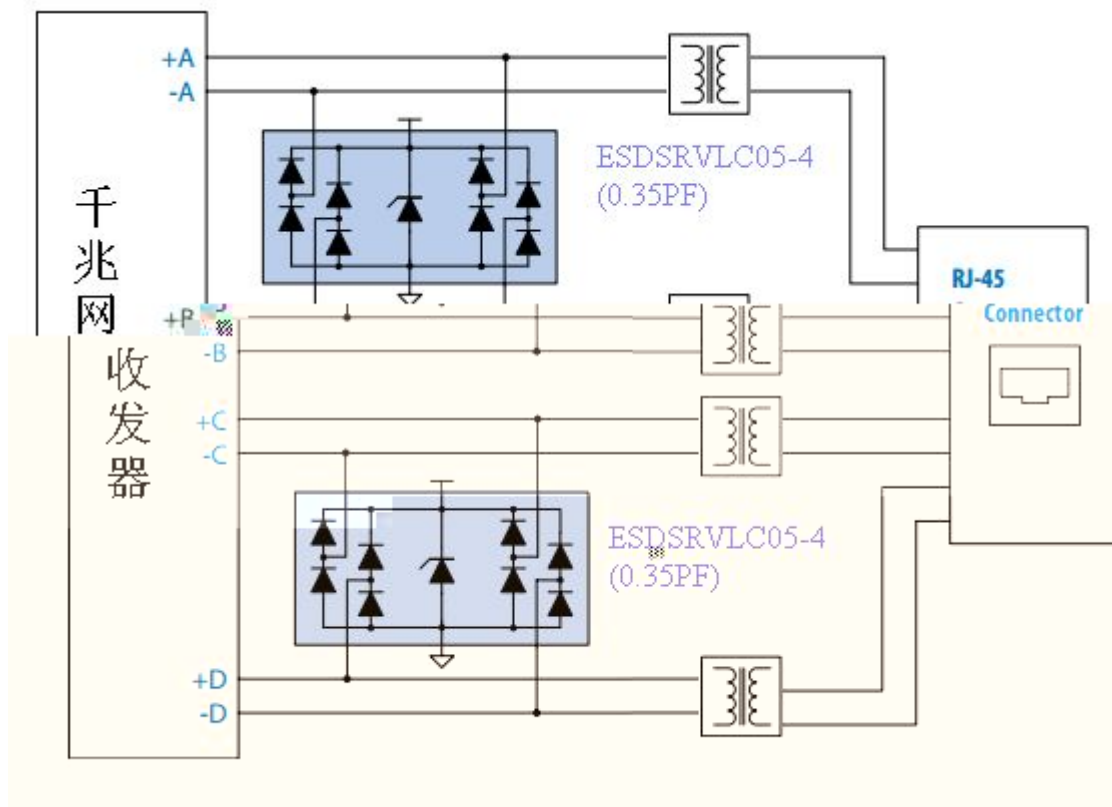
Ethernet

125 MHz

2 V

ESD

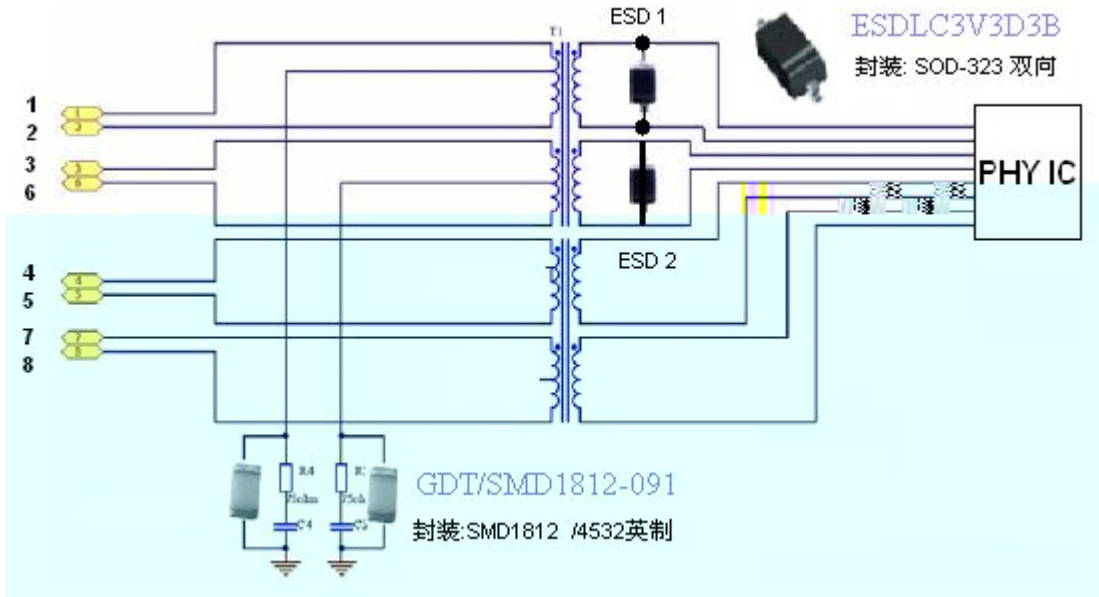
IEC 61000-4-2 Level 4 (Contact: 12 kV Air: 17 kV)



				-	

**10M /100M**

: **10**  
 :TU-T K.21 (10/700  $\mu$  S) (40 )  
 :1.0KV :6.0KV



				-	
				-	

:

